

IMPORTANT

These instructions should be read carefully and retained by the user. Note also the information given on the appliance.

Ultra-Slim Storage Heaters

83913 Issue 1: 02.98 T9201/602/D

IMPORTANT SAFETY INFORMATION

WARNING - THE SURFACE OF THIS HEATER CAN BE HOT. The surface temperatures of this heater are within the requirements of AS3103, the Standard covering the safety requirements for Electric Storage Heaters, and momentary contact with any part of the heater should not cause injury. However, in order to be effective, heaters of any type do get hot, especially around the air outlet grille.

Therefore, if aged or infirm persons, or young children, are likely to be left unsupervised in the vicinity of a heater precautions should be taken to ensure that prolonged contact with the heater cannot occur. We recommend that a guard is fitted around the heater, as is normal with some types of heating appliances in similar circumstances.

CAUTION: DO NOT COVER SURFACES OF THE HEATER AND DO NOT OBSTRUCT AIR OUTLET GRILLES. Surfaces of the heater should not be covered or obstructed as this can cause excessive temperatures that can be hazardous and may cause safety cut-outs to operate. For example, do not put clothes, fabrics or any combustible materials on the heater or allow curtains to come within 75mm (3") of the top and ends of the heater and do not allow furniture to be pushed up against the heater.

PLEASE NOTE: YOUR STORAGE HEATER IS VERY HEAVY.

For safety in use it must be securely fixed to a sound wall. **No attempt should be made to move the heater without first seeking specialist advice.** If you are not happy that the heater has been securely fixed, please inform your installer.

If, during any reassembly of the heater, a part of the thermal insulation shows damage or deterioration which may impair safety, it should be replaced by an identical part.

DO NOT SIT OR STAND ON THE HEATER.

DO NOT PLACE OBJECTS IN CONTACT WITH THE HEATER.

Models XL12N, XL18N and XL24N

Your Dimplex XLN storage heater stores heat overnight using cheap off-peak electricity, and discharges this heat during the following day. These operating instructions assume that the correct size of storage heaters have been selected to cater for the heating requirements of the room.

Setting the Controls

The control knobs have been positioned so that they are clearly visible to an adult, but out of sight of young children. In this way, it is hoped that they will not provide temptation to a child to alter the settings.

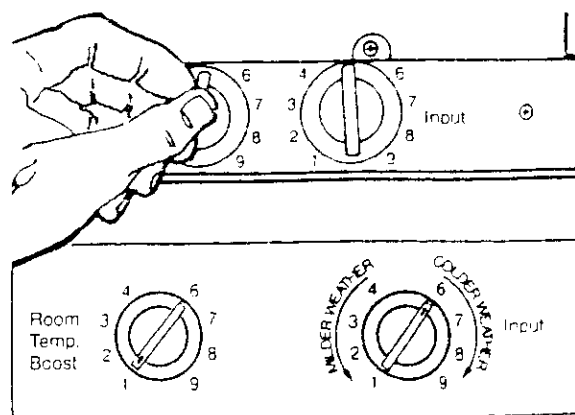
Domestic Use

In cold weather set the right hand (INPUT) knob to 9 (maximum). In milder weather set the control to a lower position.

Normally, the left hand (Room Temperature Boost) knob may be left on setting 1. This control may be moved to position 9 *in the evening* if additional heat is required at that time. Return to setting 1 before retiring.

Commercial Use

For normal commercial appliances setting 9 on the room temperature boost control will ensure maximum output during working hours. The input control should be set as described above for Domestic Use.

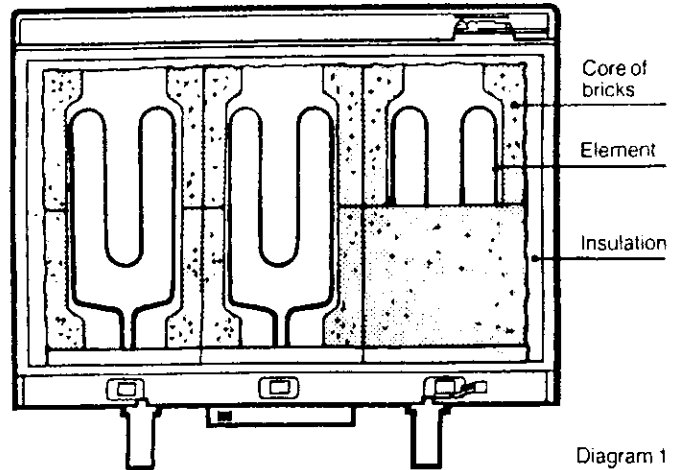


Should these settings not provide the comfort levels required, the more detailed instruction overleaf should be consulted.

XLN Storage heater – Principle of operation

Your XLN storage heater consists of a core of high density heat storage bricks surrounded by a carefully designed insulating case. During the night time off-peak period elements within the brick core heat up the bricks to a temperature level determined by the setting you select using the input control knob.

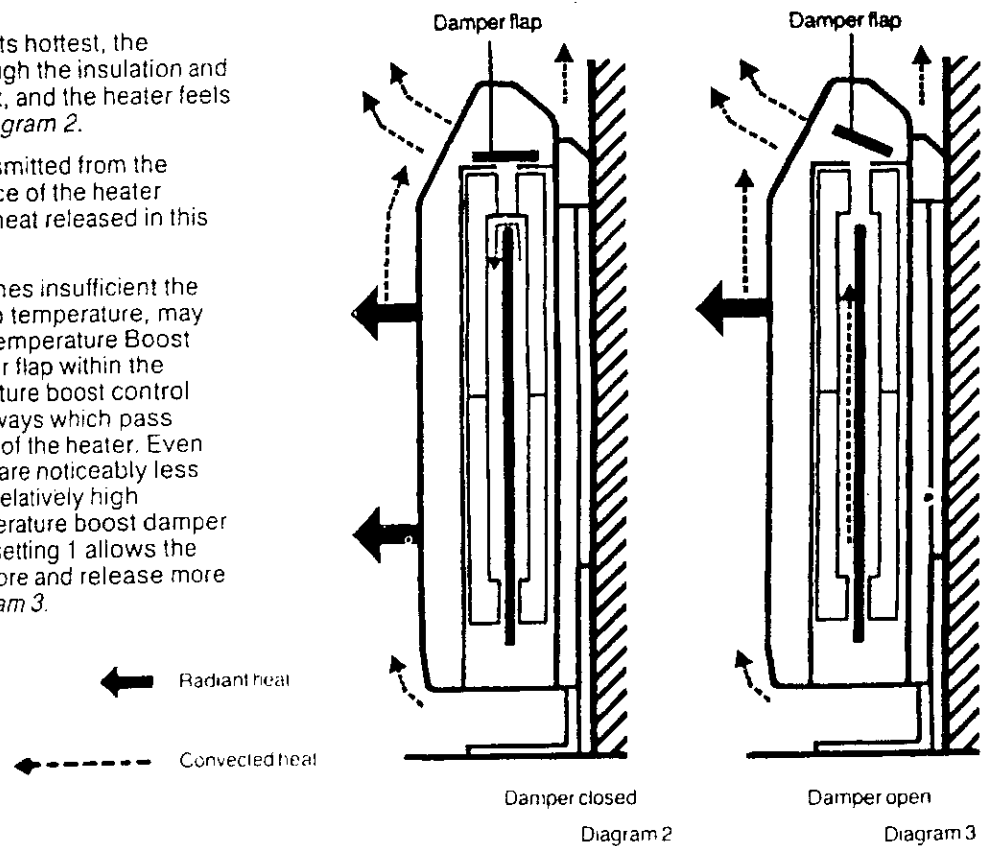
During the following day the heat stored in the brick core is gradually transmitted through the insulation and out of the heater case.



In the morning, when the core is at its hottest, the amount of heat being transmitted through the insulation and emitted as radiant heat is at its greatest, and the heater feels hot over most of its outer surfaces. *Diagram 2.*

As the day progresses, heat is transmitted from the heater to the room and the outer surface of the heater becomes less hot, and the amount of heat released in this way becomes less.

If the amount of emitted heat becomes insufficient the output of the heater, and thus the room temperature, may be increased by means of the Room Temperature Boost control. This control operates a damper flap within the heater which, when the room temperature boost control knob is at setting 1, covers vertical airways which pass directly through the centre of the core of the heater. Even when the outer surfaces of the heater are noticeably less hot, the core of bricks can still be at a relatively high temperature. Opening the room temperature boost damper flap by moving the control away from setting 1 allows the room air to circulate through this hot core and release more heat to the room by convection. *Diagram 3.*



Input Control

The setting of this control determines the amount of charge taken in by the heater, which in turn determines the temperature of the heater's storage core. The higher the charge taken the higher the core temperature.

In cold weather the heater should be set to take a high charge, the control being set to number 9 for a maximum charge.

In the Autumn and Spring a lower setting of the input control should be sufficient, the actual setting required being influenced by the prevailing weather conditions, the room size and insulation levels. The most suitable settings will be found by experience.

Room Temperature Boost Control

Dependent upon the amount of charge taken in by the heater the ROOM TEMPERATURE BOOST control allows the release of additional heat by means of a damper which can be opened to allow a greater air flow through the heater core, and therefore additional circulation of heat. By altering the setting of the boost control knob the damper may be opened and closed manually, or it may be made to open automatically.

Manual Operation

With the ROOM TEMPERATURE BOOST control on setting 1 the damper remains closed, and heat is released from the heater only by normal radiation and convection around the outer surfaces of the heater. This alone may provide sufficient heat on many occasions and therefore no alteration of the ROOM TEMPERATURE BOOST control is necessary. However, if a boost of heat is required in the evening period, then moving the ROOM TEMPERATURE BOOST control to setting 9 in the evening will immediately open the damper to allow more rapid release of any available stored heat. When the next charging period commences the damper will automatically close to prevent this release of extra heat during the charge period, but the ROOM TEMPERATURE BOOST control must be returned to setting 1 manually to obtain a similar operation the following day.

Automatic Operation

The damper may be pre-set to open automatically each day if required. Setting the ROOM TEMPERATURE BOOST control at settings other than position 1 results in an automatic earlier or later boost of heat. A higher setting of the boost control knob causes the damper to open earlier. A lower setting causes it to open later.

Because the automatic opening of the damper is primarily dependent on core temperature then the setting of the INPUT control determines indirectly the time at which the damper opens. For a given setting of the ROOM TEMPERATURE BOOST control, the higher the setting of the INPUT control the later the damper will open. Lower settings on the INPUT control will mean an earlier damper opening.

The most suitable settings of the ROOM TEMPERATURE BOOST control for different input settings will be found by experience.

Remember – a high setting of the ROOM TEMPERATURE BOOST control early in the day may leave too little heat stored in the heater for the evening, especially on low settings of the INPUT control.

Please Note. Due to the newness of the materials used in manufacture, slight odours may be emitted from the heater when it is first switched on. It is therefore advisable to keep the room well ventilated, and persons suffering from respiratory conditions would be advised not to sleep in the same room until any odours have dispersed.

Cleaning

To maintain the external appearance of the radiator it need only be wiped over occasionally with a dry duster. During the summer months, however, or at other times when the appliance is not in use and completely cold, opportunity should be taken to wipe over with a damp cloth. Do not use abrasive cleaning powders or furniture polish.

After Sales Service

Your Dimplex Storage Radiator is guaranteed from the date of purchase. The terms and conditions of the guarantee are as stated on the warranty card packed with the product.

Should you require after sales service, please get in touch with the supplier through whom you purchased the appliance.

Total Co-ordinated Heating

Dimplex manufacture a complete range of heating appliances in matching style, to provide co-ordinated heating throughout the home or office. For more information, contact addresses overleaf.
